

# HUSKY 120 PRO

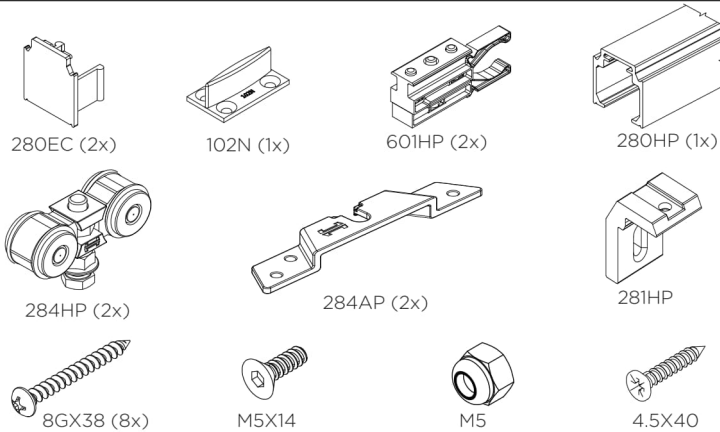
# HENDERSON

## FITTING INSTRUCTIONS

### KIT AND DOOR SPECIFICATION

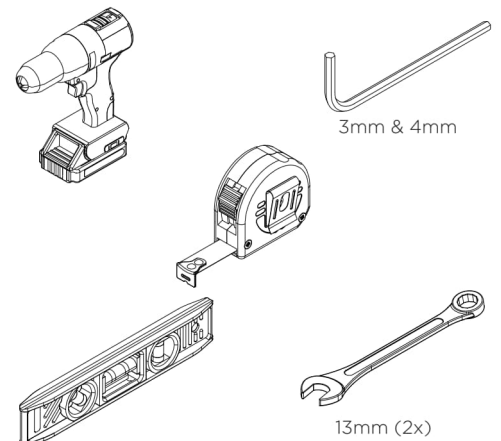
Kit Short Code	Max Door Size	kg	281HP #	M5x14 Screw #	M5 Nyloc Nut #	4.5x40 Screw #
HP120/15A	2700x800x45mm	< 120kg	4	4	4	4
HP120/18A	2700x950x45mm	< 120kg	5	5	5	5
HP120/20A	2700x1050x45mm	< 120kg	5	5	5	5
HP120/25A	2700x1300x45mm	< 120kg	6	6	6	6
HP120/30A	2700x1550x45mm	< 120kg	7	7	7	7

### HUSKY 120 PRO KIT CONTENTS



**NOTE:** IF INSTALLING ACCESSORY KIT, FOLLOW INDIVIDUAL INSTRUCTIONS FOR ACCESSORY KIT.

### TOOLS REQUIRED

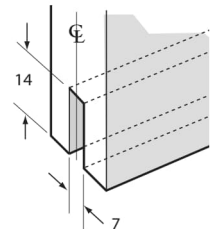


### 1 FIT APRON PLATES.

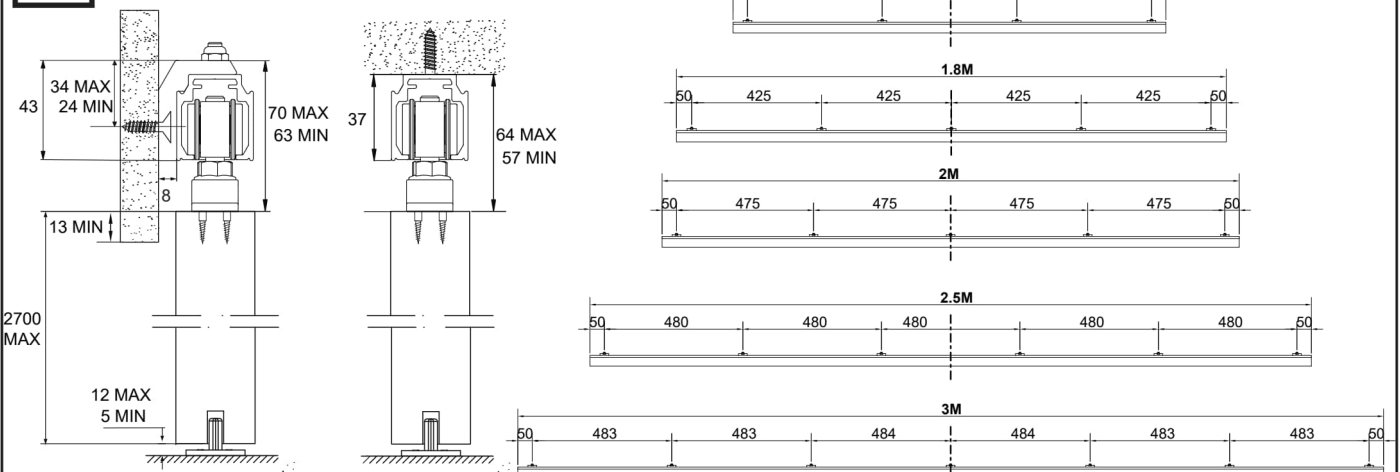


**NOTE:** IF INSTALLING SOFT CLOSE, SEE SEPARATE INSTRUCTIONS.

### 2 DOOR BASE



### 3 FIX TRACK POSITION.

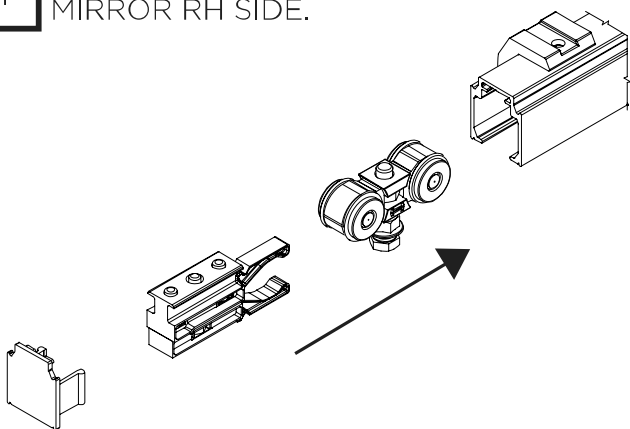


**NOTE:** IF USING COMPACT 120 LOW HEADROOM KIT, SET TRACK HEIGHT USING COMPACT 120 INSTALLATION INSTRUCTIONS.

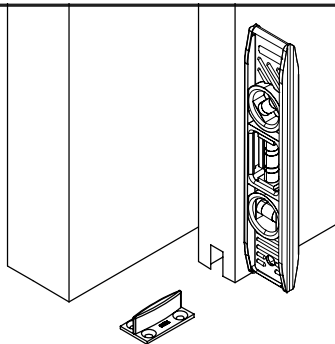
**NOTE:** CL = OPENING EDGE

4

INSERT IN LH SIDE.  
MIRROR RH SIDE.

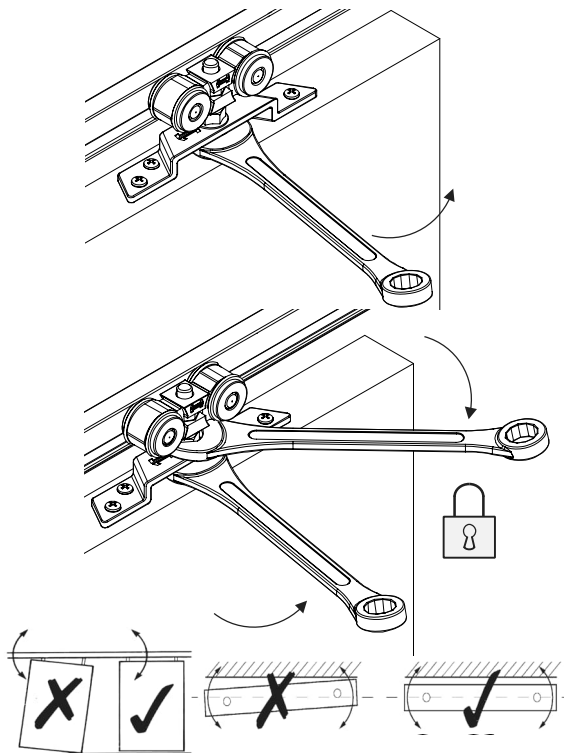


6



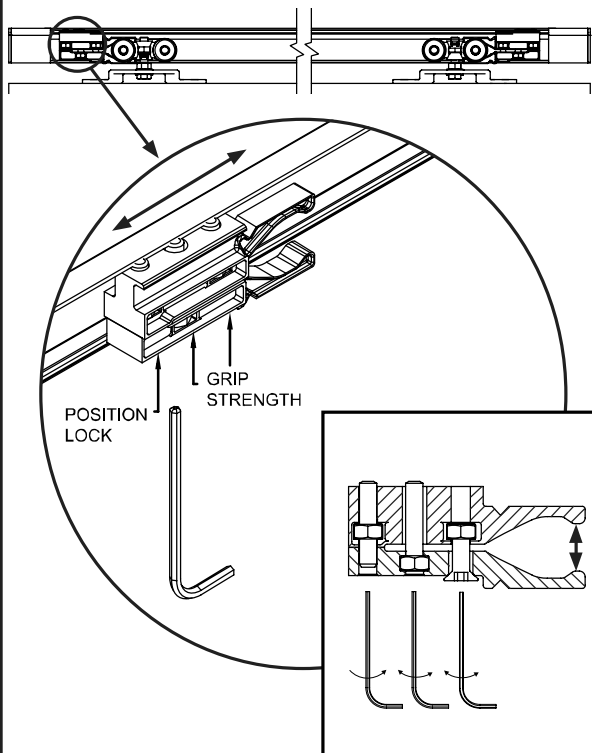
5

FIT PANEL TO HANGERS.  
ADJUST HEIGHT AND SECURE.



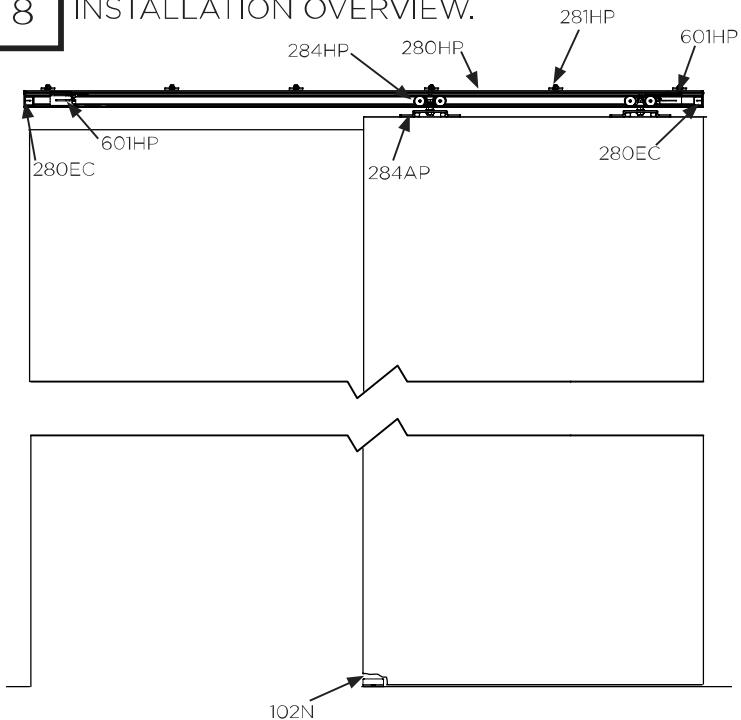
7

FIX CLIPSTOPS IN POSITION.  
(LH AND RH)



8

INSTALLATION OVERVIEW.



**P C HENDERSON LTD**  
Durham Road, Bowburn,  
Co. Durham,  
DH6 5NG

**UK SALES**  
t: +44 (0) 191 377 7345  
e: sales@pchenderson.com  
w: www.pchenderson.com

**IRELAND SALES**  
t: +353 (0)1 643 6816  
e: sales@pchenderson.ie  
w: www.pchenderson.ie

**INTERNATIONAL SALES**  
t: +44 (0) 191 377 7346  
e: international@pchenderson.com  
w: export.pchenderson.com

370763  
REV 4  
Sep-23